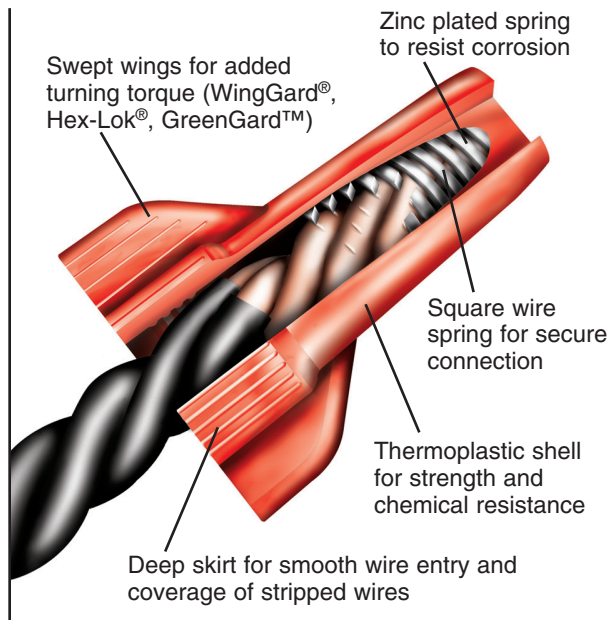


Gardner Bender™ Twist-On Wire Connectors

Engineered to exceed the expectations of professional electricians.

All GB® Twist-On Wire Connectors:

- Are designed to make wiring jobs fast, easy, safe and reliable.
- Provide maximum application flexibility by offering contractors myriad packaging options, ergonomic designs and wire ranges.
- Exceed UL standards for dielectric strength, wire pullout force and static heat resistance.
- Are manufactured of top-quality materials.
- Meet the requirements of nearly all budgets.
- Are continually evaluated for improvements and enhancements.





Hex-Lok® Multi-Range Wire Connectors

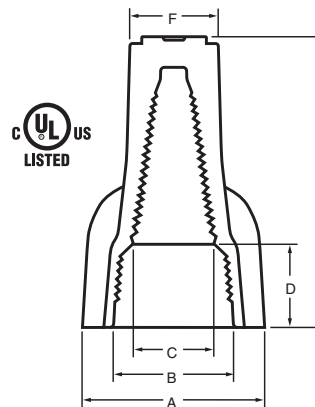
Multi-range, hex-head copper-to-copper connector covers 95% of everyday applications.

- Streamlined design for compact installations.
- Square-wire spring grabs and holds wires for secure connections.
- Long skirt covers stripped wires.
- Rated at 600 V Max. in building wire and at 1000 V Max. in lighting fixtures/luminaries and signs.
- Copper-to-copper connections only.



Patented

	Color	Part #	Pkg Qty	Wire Range	Min	Max
H1		10-1H1	100/box	#22 - #8 AWG	3 #22	3 #10
		12-1H1BU	28,000/bulk barrel			
		12-1H1BX	33,000/bulk barrel			
		13-1H1	500/bag			
		16-1H1	175/jar			
		16-1H1L	400/jar			
		17-1H1	50/bag			
		19-1H1	6/card			
		25-1H1	25/resealable bag			
H2		10-2H2	50/box	#14 - #6 AWG	3 #14	1 #6 w/1 #8
		12-2H2BU	16,000/bulk barrel			
		13-2H2	250/bag			
		19-2H2	6/card			
		25-2H2	25/resealable bag			



Dimensions

	A	B	C	D	E	F
H1	47/64"	9/16"	5/16"	21/61"	15/32"	5/16"
H2	1"	15/32"	25/64"	13/32"	1 21/64"	7/16"